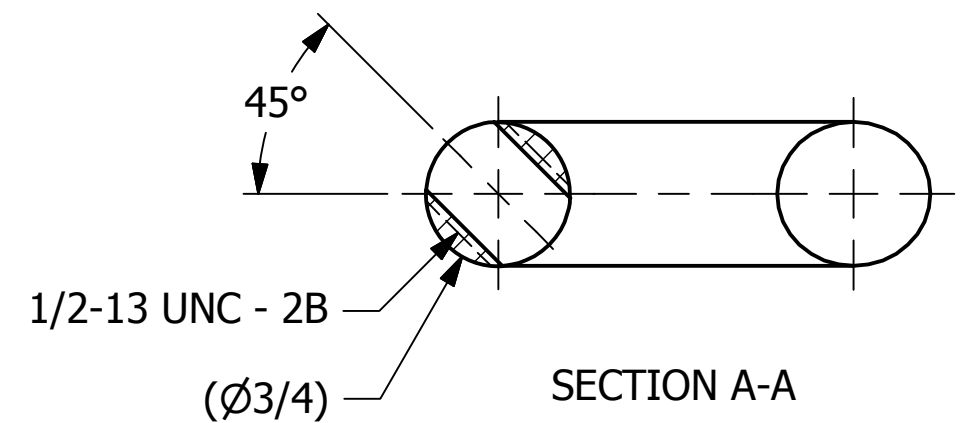
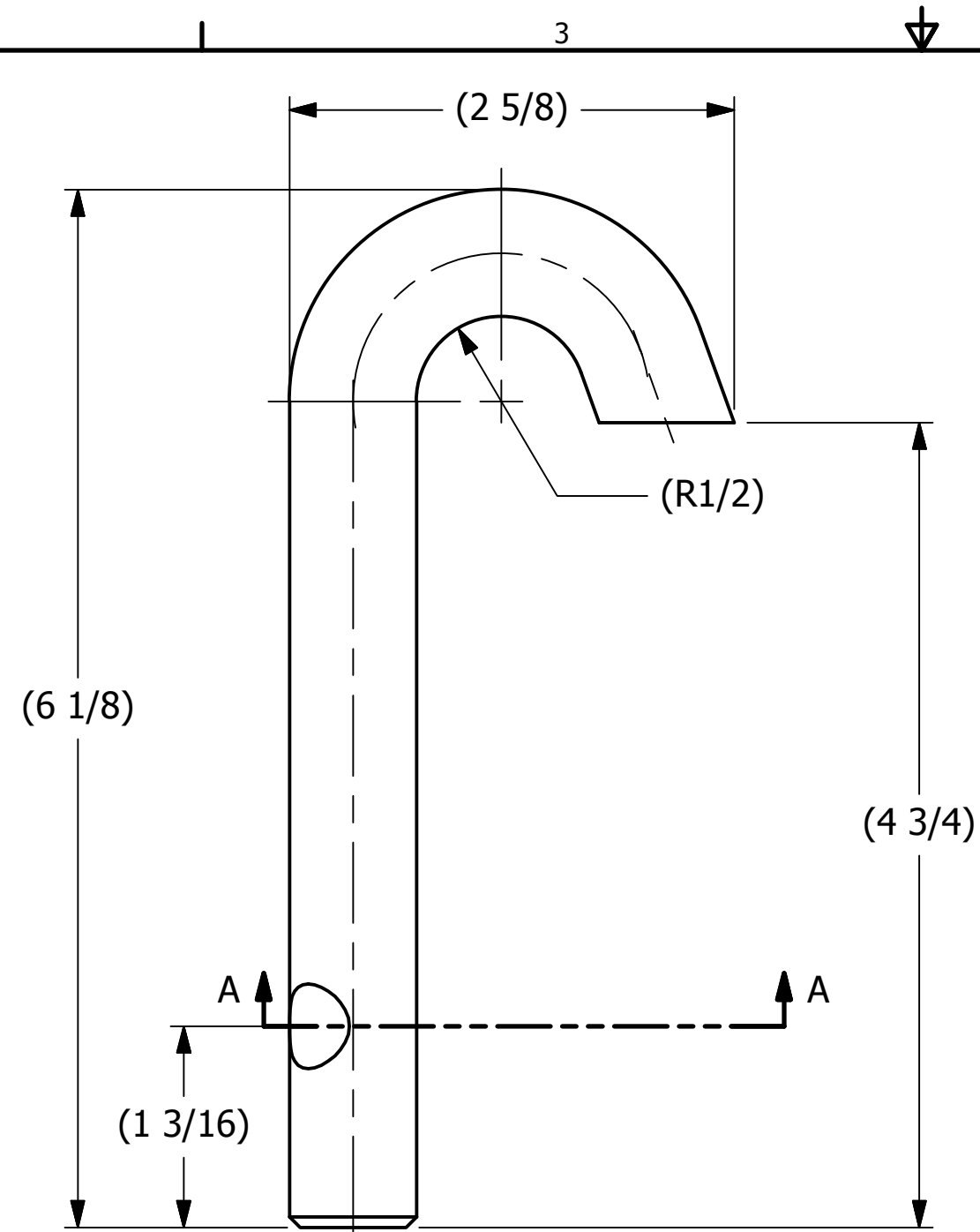


SALES DRAWING

SALES DRAWING



THIS PRINT, PROPERTY OF SALCO PRODUCTS INC., CONTAINS PROPRIETARY INFORMATION AND MUST NOT BE COPIED, REPRODUCED, OR USED DETRIMENTALLY TO OUR INTEREST.

REV	BY	DATE	DESCRIPTION
B	WEB	1-25-17	MADE INDIVIDUAL DRAWING SEPERATE FROM CHART
A	BRW	7-12-94	NEW PART ADDED TO SYSTEM

UNLESS OTHERWISE SPECIFIED DIMENSIONAL TOLERANCES	DRAWN BY:	BRW
FRACTIONAL: ±1/16	CHECKED BY:	
X.XX: ±.03	PROTOTYPE BY:	BRW
X.XXX: ±.015	PROTOTYPE DATE:	7/12/1994
ANGULAR: ±1°	APPROVED FOR PRODUCTION BY:	
DEBURR ALL SHARP EDGES. ALL MACHINED SURFACES TO HAVE A 125 RMS FINISH UNLESS NOTED OTHERWISE.	PRODUCTION DATE:	7/12/1994
THIRD ANGLE PROJECTION		

PART NAME: LEFT HAND J BOLT		
MATERIAL: ZINC-PLATED CARBON STEEL		
PROJECT #:	SHEET #: 1 OF 1	SCALE: 1:1
DRAWING #: B7020	PART #: EA205LJ	